

TB290



McINALLY
PLANT



COMPACT EXCAVATOR

TAKEUCHI
Japanese for reliability

Takeuchi's New 9 tonne Excavator

- brings powerful excavating and breakout force in a compact machine size.

The TB290 combines all the proven characteristics of Takeuchi excavators - smooth hydraulics, powerful machine performance and good serviceability into a larger sized machine. The newly designed TB290 meets the growing demand for a compact Takeuchi in the 9-10 tonne weight class.

The TB290 comes complete with a powerful Isuzu turbocharged engine that develops more power and greater torque along with a well proven, high performance hydraulic system with improved power, cycle times and efficiency.

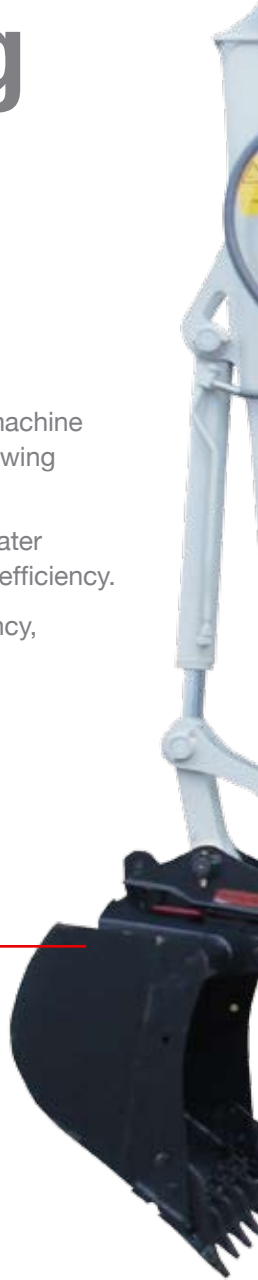
The new model is part of Takeuchi's on-going commitment to machine development, environmental efficiency, operator comfort and safety and improved machine ergonomics.

POWERFUL BREAKOUT FORCE & INCREASED REACH

The TB290 features massive breakout force compared to the competition and powerful bucket breakout force for rough terrain.

The standard long arm provides a ground level reach of 7290mm and digging depth of 4580mm.

Boom and arm holding valves as standard on the TB290, help maintain load control in the event of a hose failure, with audible warning sound.



MAXIMUM ALL DAY COMFORT WITH A NEW STYLED CAB

A larger, stylish cab with, ROPS/FOPS, improved visibility and easier operator accessibility.

Standard features include: top window with sun shade, automatic air conditioning/climate control, MP3 socket, adjustable high back suspension seat and arm rests.



RELIABLE TRACK DESIGN

Triple flange rollers, maintenance free bearings and larger shaft all add to tracking performance for rough terrain to provide many hours of continuous service.

Automatic track tensioning system - minimises operator downtime and maximises longevity of tracks and rollers.





ROBUST SITE PROTECTION

Cast iron wraparound with 100% steel panels. Built-in counterweight ensures component protection and superior stability when digging in tough terrain.

Hydraulic hoses positioned to prevent damage from attachments.

Dual boom cylinders with hose burst check valve provide added lifting power and additional clearance for bucket and attachments.



REDUCED TAIL SWING

The compact TB290 features a shorter than average tail swing compared to conventional 9-tonne excavators.

Just 1650mm tail swing radius combined with rounded corners and enhanced visibility helps minimise potential machine damage in restricted areas.



HEAVY DUTY DOZER DESIGN

A heavy duty dozer 500mm high with increased operating range comes as standard for efficient on-site finishing and grading with a well protected cylinder.

Two speed tracking with auto step down when dozing.





MAXIMUM ALL DAY COMFORT WITH A HIGH VISIBILITY CAB

The TB290 has the operator in mind, the large comfortable isolated cab minimises the impact felt. With a sliding 10-way adjustable suspended seat, headrest and ergonomically positioned hand and foot controls, plenty of foot room, high capacity automatic climate control, heater and defrost options.

The TB290 offers operators excellent all round visibility; work lights as standard, a retractable front window with a removable lower window section, a large skylight with sun shade and a rainguard for a dryer working environment.

A well positioned colour visual display unit illuminates active operating switch functions; lift overload, power altitude, auto idle and auxiliary detent. Operators can easily select auxiliary preset modes to match all types of attachments.

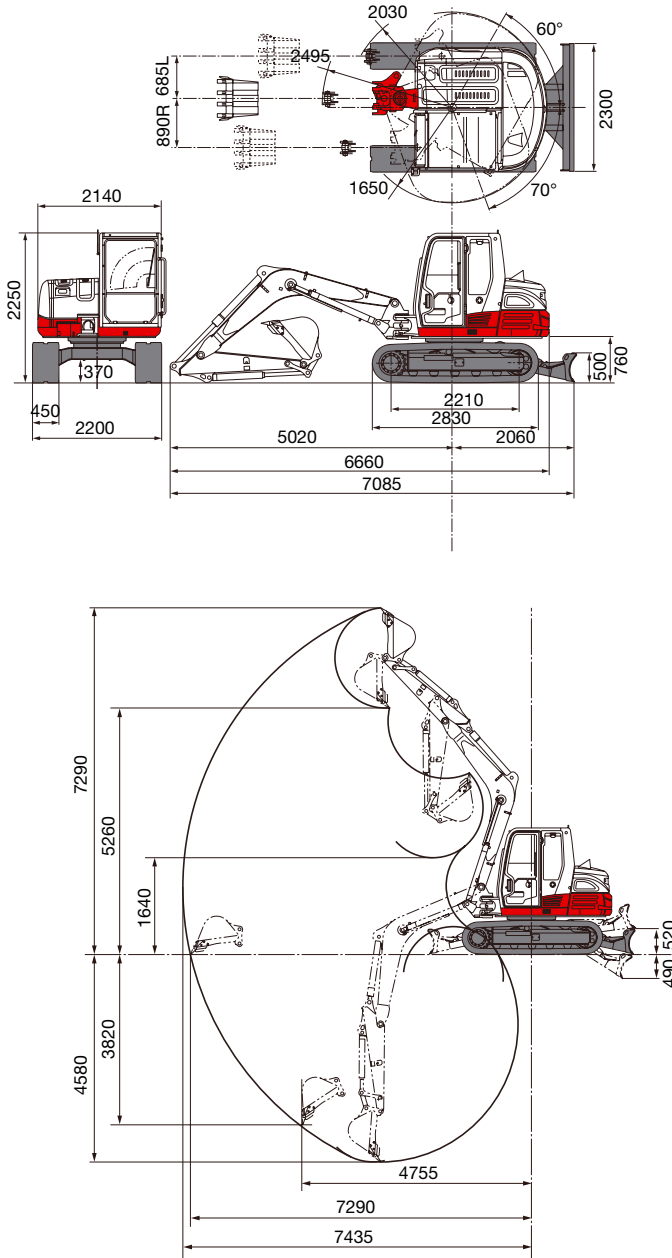


TB290 SERVICEABILITY

The new styled engine hood and side cover provide unparalleled access to engine and hydraulic components simplifying all aspects of machine maintenance - all accessible at ground level.

- Well positioned hydraulic and fuel tank gauges and hydraulic control valve.
- Easy access electric refuelling pump as standard with auto shut off, stowed in own compartment.
- The rear bonnet provides access to the engine service points.
- Automatic fuel bleed system.
- Side-by-side radiator and hydraulic oil cooler ensures fresh cool air reaches each cooler, improving efficiency and component life. The A/C condenser is mounted on a hinged frame - decreasing inspection and cleaning time.





For more information locally
call us direct, or contact:



35a Bonnyside Road, Bonnybridge FK4 2AD
T: 01324 815 055
M: 07793 184 825
E: info@mcinallyplant.com
 www.mcinallyplant.com

Takeuchi Mfg (UK) Ltd, Unit E2B Kingsway Business Park,
 John Boyd Dunlop Drive, Rochdale, Lancashire OL16 4NG
 Tel: 01706 657 722 Fax: 01706 657 744

Southern Depot at 20 Colthrop Business Park
 Colthrop Lane, Thatcham, Newbury, Berks RG19 4NB
 Tel: 01635 877 196 Fax: 01635 877 195

www.takeuchi-mfg.co.uk Email: sales@takeuchi-mfg.co.uk

TB290

Standard UK Specification - Long Dipper

Engine	
Make	Isuzu
Model	AP-4JJ1TASB-01
Rated Output (kW)/RPM	52.0/2000
Maximum Torque (Nm)	255
Cylinders	4/4 cycle
Displacement (cc)	2999
Electrical System	12 Volt

Dimensions & Weight	
Machine weight with hydraulic hitch, 24" bucket, full fuel tank (kg)	8800
Length (Transporting) (mm)	6660
Width (mm)	2200
Height (mm)	2565/2560
Ground Clearance (mm)	385/360
Dozer Blade (W x H) (mm)	2300 x 500
Slew Radius (mm)	1650

Swing System	
Min Front Offset Swing (mm)	2030
Tail Swing (mm)	1650

Operating Information	
Max Digging Depth (mm)	4580
Max Dump Height (mm)	5270
Max Reach at Ground Level (mm)	7290
Max Vertical Dig Depth (mm)	3805
Max Bucket Digging Force (Kn)	59.1
Max Arm Digging Force (Kn)	36.3Kn

Hydraulic System	
Set Pressure (bar)	27.5 x1 24.0 x 1 3.4 x 1
Pump Type	Variable (P1) + Gear (P2 P3)
Hydraulic Pump Flow Aux port (l/min)	160 x 1 + 60.6 x 1 + 16 x 1
Aux Flow (l/min)	100

Swing System	
Boom Swing Angle (L/R)	70°/60°
Slew Speed (rpm)	10.3
Slew Motor	Axial Piston
Slew Brake	Disc

Undercarriage	
Traction Motor	Axial Piston
Traction Drive	Planetary
Traction Brake	Disc
Track Width (mm)	450
Ground Contact Length (mm)	2210/2180
Ground Pressure (kpa)	37.9/39.4
Travel Speed (K/ph)	2.6-5/2.5-4.8
Maximum Gradeability	30

Capacities	
Hydraulic System (l)	140
Fuel Tank (l)	120
Engine Lubrication (l)	10.2
Cooling System (l)	14

OPTIONS: Wide Steel Tracks, Takeuchi Hydraulic Breaker, Travel Alarm, Front Guard, Hydraulic Quick Hitch, Roof Guard.

05/2014

Takeuchi machines come with a 2 year/2000 hours warranty as standard. Warranty exceptions to 1 year; fuel injection systems, electrical components, paint work.

In accordance with our established policy of constant improvement, we reserve the right to amend these specifications at any time without notice. Photographs shown may feature non-standard equipment.

TAKEUCHI
Japanese for reliability