

TB228



McINALLY
PLANT



COMPACT EXCAVATOR

TAKEUCHI
Japanese for reliability

3 tonne compact mini excavator - powerful performance

The TB228 compact mini excavator brings operators the most comfortable operation and powerful digging performance.

Weighing in at 2880kg the TB228 mini excavator offers massive operating capacity in a compact sized excavator even in the toughest, tightest working conditions.

Performing with massive bucket breakout force the TB228 works comfortably well above expectations in their weight class.



SAFE LIFTING

Boom & dipper check valves now fitted as standard - meeting current lifting legislation.



ENHANCED AUXILIARY CONTROLS

Two way auxiliary hydraulics plumbed to the boom arm allows alternative tools to be used on site.

Operating and adjusting attachments is easy and controlled using the left hand lever.

On site, the 3 tonne compact excavator is best known for reliable performance and regarded as a favourite by many operators for both comfort and control. Takeuchi achieve this with highly engineered reliable and touch sensitive controls.

The light touch gives the operator far more accurate control when digging in tough ground conditions with excellent hydraulic power when required. The higher than average bucket breakout force gets a greater digging performance.

Tip up and operating balance are offset by centrally positioned counterweights. The TB228 offers excellent dig depth of 2875mm. The roomy isolated cab minimises the impact felt by the operator.

If you're familiar with Takeuchi compact excavators the TB228 offers proven reliability and performance for plant hire, ground works, civils, earthmoving, utilities and much more.

With a reputation for reliability, Japanese build quality makes all the difference.

OPERATOR COMFORT

The stylish cab comes with a fully adjustable seat and arm rest.

Radio/MP3 socket, drinks holder and additional foot and storage room.

The TB228 is fitted with both foot pedal and hand travel lever controls. Operators familiar with larger excavators often prefer traditional foot pedals to hand lever options.



DESIGNED FOR EASY SERVICE

The TB228 is uniquely designed for quick and easy service and maintenance.

Features the unique tilt-up cab for easy access to service areas, easy refuelling point, access at ground level to service points and a well positioned hour meter.

Warning devices help prevent service issues: battery charge, engine oil pressure, coolant temperature, air cleaner, water temperature and fuel gauge.

PERFORMANCE

- Two speed tracking and simultaneous cab swing and dig functions all add up to faster working speeds.
- Short pitch rubber tracks add to performance with far less potential for ground damage.
- Emergency shut-off valve, if the boom or dipper cylinder hose for lifting is ruptured, the emergency shut-off valve is activated to prevent the boom or dipper from falling rapidly.
- Overload warning device - if a weight greater than the lifting capacity is applied or lifted, the overload warning device is activated and the horn sounds.

OPERATION

A comfortable cab incorporates useful operating features;

- Pilot operated joystick controls and foot pedals makes for easy uncomplicated drive and operations.
- Adjustable seat and arm rests.
- Two way auxiliary hydraulics plumbed to the boom arm allows alternative tools to be used on site.
- Well positioned controls make for comfortable all day operation.

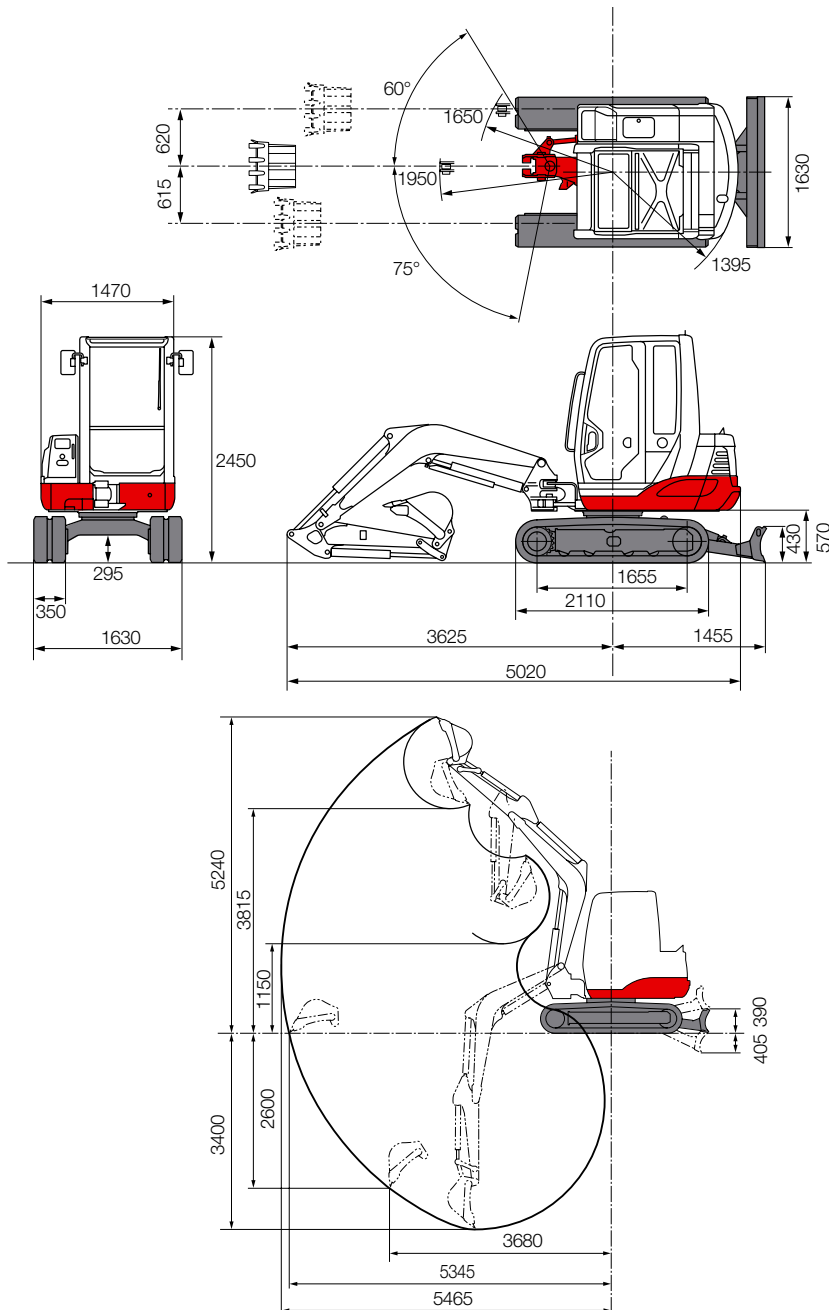
SAFETY & SERVICE

- Electronic engine monitoring.
- Automatic fuel bleed system.
- Remote slew lubrication system.
- Vandalism protected lockable fuel tank and engine compartment.
- Hydraulic oil cooler.
- Engine oil Safe Drain system.
- All Takeuchi machines come with a 2 year/2000 hrs warranty as standard (*exceptions apply).

OPTIONS

- Canopy
- QuickHitch
- Steel tracks.
- Breakers - TKB102-S





TB228 Standard UK Specification - Long Arm/Rubber Tracks - Dimensions Long Arm/Rubber Tracks

| Engine | |
|-----------------------|----------------|
| Make | YANMAR |
| Model | 3TNV82A |
| Rated Output (kW)/rpm | 17.5/2400 |
| Maximum Torque (Nm) | 78.4-85.3 |
| Cylinders | 3 |
| Displacement (cc) | 1331 |
| Electrical System | 12 VOLT 50 amp |

| Dimensions & Weight | |
|---|------------|
| Operating Weight inclusive of bucket and fuel (kg) cab/canopy | 2880/2780 |
| Overall Length (mm) for transport | 4460 |
| Width (mm) | 1460 |
| Height (mm) | 2445 |
| Ground Clearance (mm) | 300 |
| Min. Front Swing Radius (mm) | 1535 |
| Slew Radius (mm) | 1285 |
| Dozer Blade (W x H) (mm) | 1450 x 300 |

| Operating Information | |
|--|------|
| Max Digging Depth (mm) | 2875 |
| Max Dump Height (mm) | 3190 |
| Max Reach at Ground Level (mm) | 4720 |
| Max Reach at Vertical Digging Depth (mm) | 3325 |
| Max Bucket Digging Force (kN) | 21 |
| Max Arm Digging Force (kN) | 12.9 |

| Hydraulic System | |
|---------------------------------|---------------------------|
| Set Pressure (bar) | 210 |
| Pump Type | Variable x 2 +Gear x 2 |
| Hydraulic Flow Aux Port (l/min) | 51 |

| Swing System | |
|------------------------|---------|
| Boom Swing Angle (L/R) | 75°/60° |
| Slew Speed (rpm) | 10 |
| Slew Motor | Piston |
| Slew Brake | Disc |

| Undercarriage | |
|----------------------------|--------------|
| Traction Motor | Axial Piston |
| Traction Drive | Planetary |
| Traction Brake | Disc |
| Track Width (mm) | 300 |
| Ground Contact Length (mm) | 1440 |
| Ground Pressure (kpa) | 29.5 |
| Travel Speed (km/h) | 2.8/4.9 |
| Maximum Gradeability | 30° |

| Capacities | |
|------------------------|-----|
| Hydraulic System (l) | 56 |
| Fuel Tank (l) | 53 |
| Engine Lubrication (l) | 3.6 |
| Cooling System (l) | 4.2 |

For more information locally

call us direct, or contact:



35a Bonnybridge Road, Bonnybridge FK4 2AD
 T: 01324 815 055
 M: 07793 184 825
 E: info@mcinallyplant.com
 www.mcinallyplant.com

09/2015

Takeuchi machines come with a 2 year/2000 hours warranty as standard. Warranty exceptions to 1 year; fuel injection systems, electrical components, paint work.

In accordance with our established policy of constant improvement, we reserve the right to amend these specifications at any time without notice. Photographs shown may feature non-standard equipment.

Takeuchi Mfg (UK) Ltd, Unit E2B Kingsway Business Park,
 John Boyd Dunlop Drive, Rochdale, Lancashire OL16 4NG
 Tel: 01706 657 722 Fax: 01706 657 744

Southern Depot at 20 Colthrop Business Park
 Colthrop Lane, Thatcham, Newbury, Berks RG19 4NB
 Tel: 01635 877 196 Fax: 01635 877 195

www.takeuchi-mfg.co.uk Email: sales@takeuchi-mfg.co.uk

TAKEUCHI
 Japanese for reliability